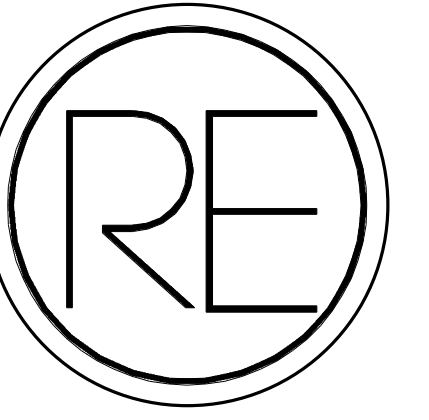


1 3D VIEW



REVISIONS

MARK	DATE	DESCRIPTION

FLYING FISH ACADEMY
300 Sportsplex Dr
Dripping Springs, TX 78620

KEY PLAN:

DISCIPLINE:

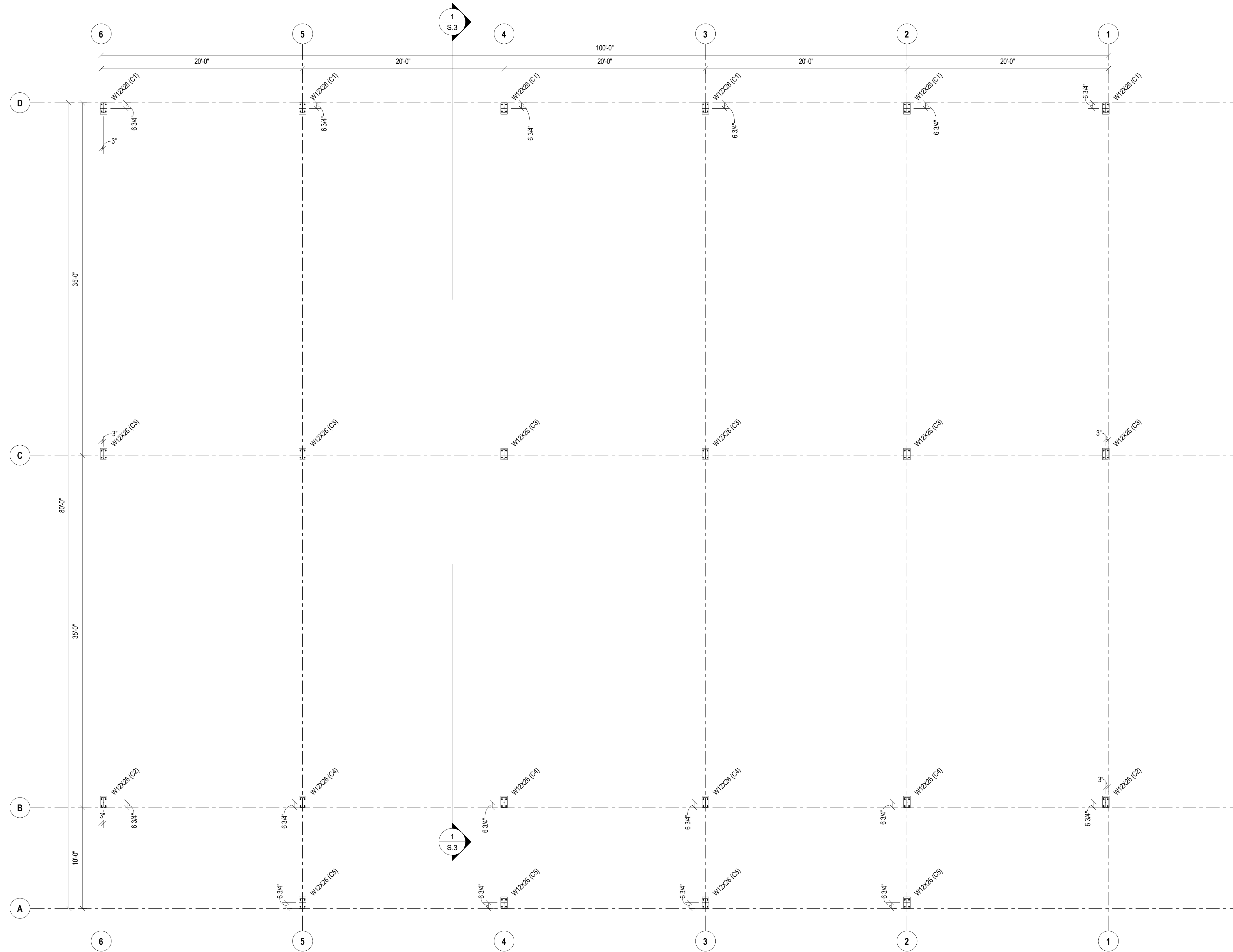
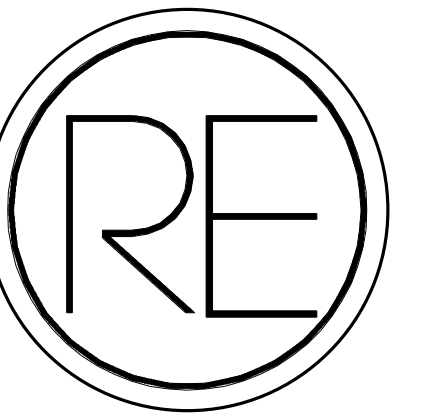
STEEL SHOP DRAWINGS

SHEET TITLE:

3D VIEW

ISSUE DATE: 12/5/2018

S.O



Sheet List	
Sheet Number	Sheet Name
S.1	BASE PLATES PLAN
S.2	FRAMING PLANS
S.3	FRAMING SECTIONS
SD1	W12x26 (C1)
SD2	W12x26 (C2)
SD3	W12x26 (C3)
SD6	W14x22 (B1)
SD7	W14x22 (B2)
SD4	W12x26 (C4)
SD5	W12x26 (C5)
SD8	W12x26 (B3), HSS4x4x1/8(B4)

REVISIONS		
MARK	DATE	DESCRIPTION

NOTE
 1. ALL DIMENSIONS FROM GRIDLINE TO CENTER OF THE BASEPLATE

FLYING FISH ACADEMY
300 Sportsplex Dr
Dripping Springs, TX 78620

KEY PLAN:

DISCIPLINE:

STEEL SHOP DRAWINGS

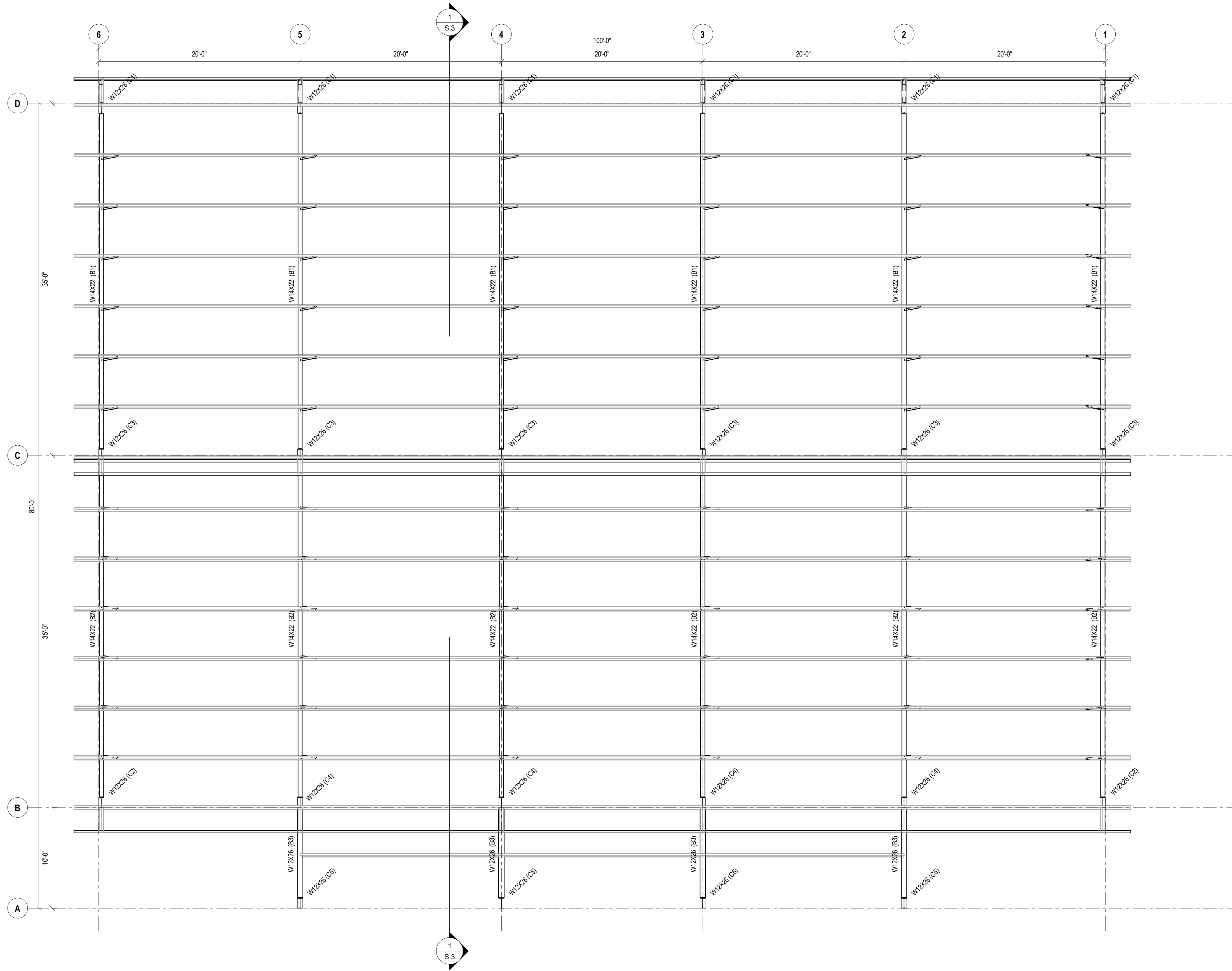
SHEET TITLE:

BASE PLATES PLAN

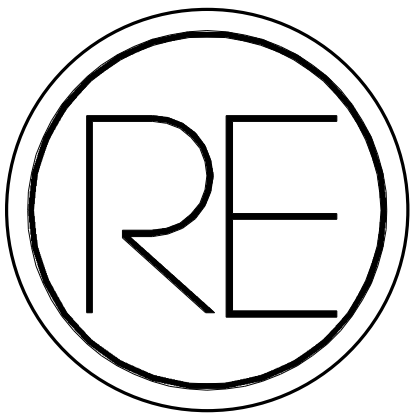
ISSUE DATE: 12/5/2018

S.1

1 BASE PLATES PLAN
 3/16" = 1'-0"



1 ROOF FRAMING PLAN
3/16" = 1'-0"



REVISIONS		
MARK	DATE	DESCRIPTION

FLYING FISH ACADEMY
300 Sportsplex Dr
Dripping Springs, TX 78620

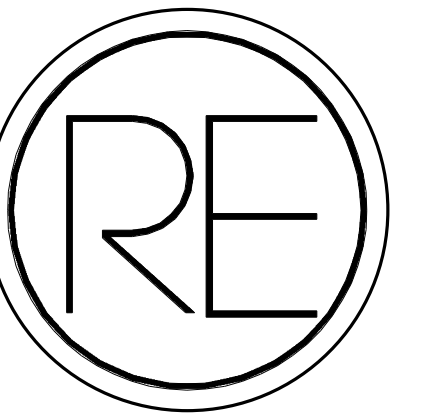
KEY PLAN:

DISCIPLINE:
STEEL SHOP DRAWINGS

SHEET TITLE:
FRAMING PLANS

ISSUE DATE: 12/5/2018

S.2



REVISIONS
MARK DATE DESCRIPTION

FLYING FISH ACADEMY
300 Sportsplex Dr
Dripping Springs, TX 78620

KEY PLAN:

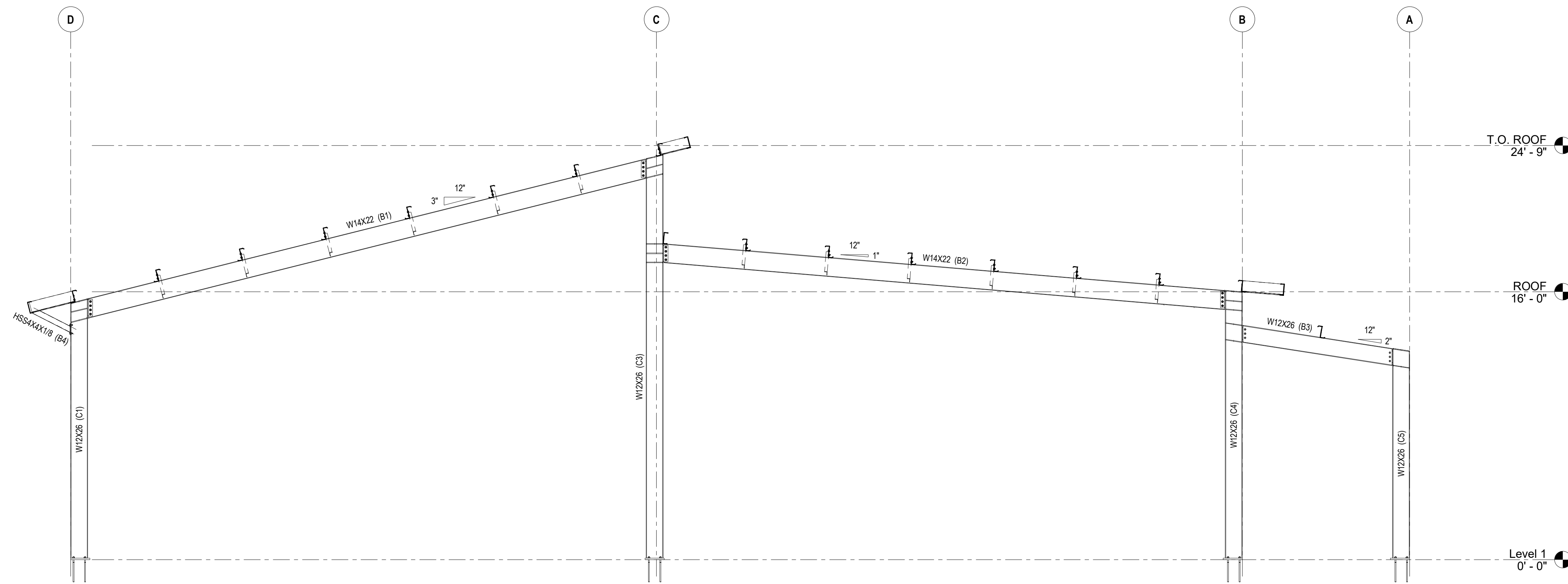
DISCIPLINE:
STEEL SHOP DRAWINGS

SHEET TITLE:

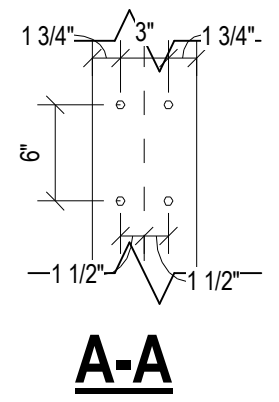
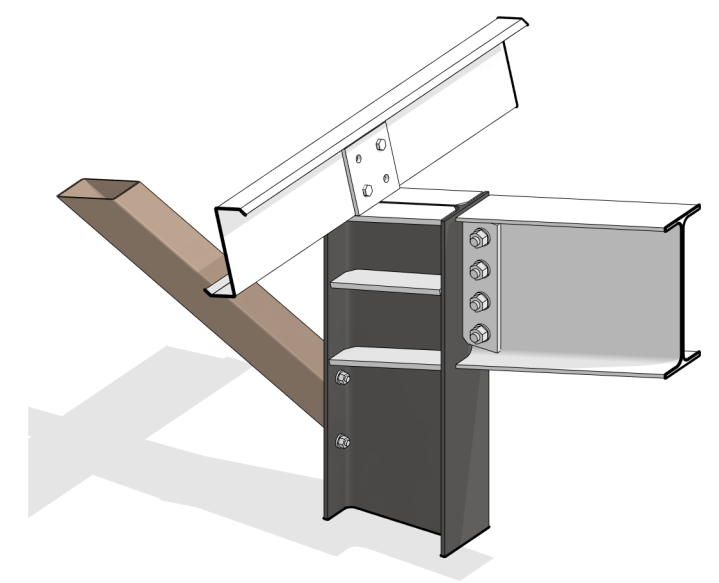
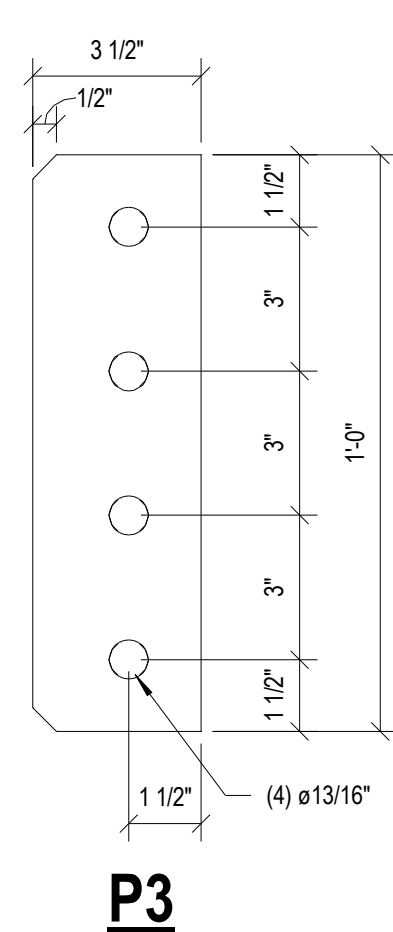
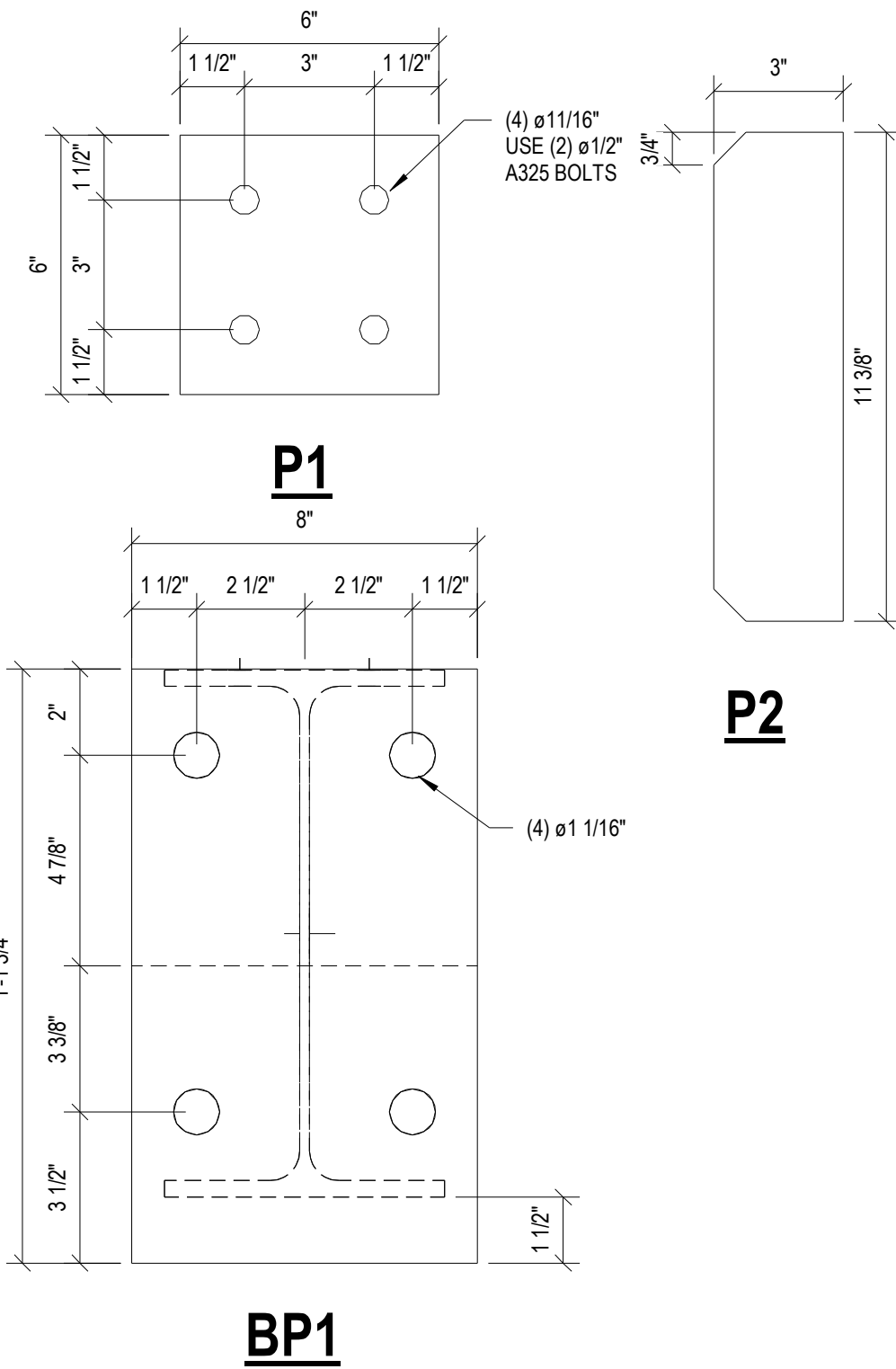
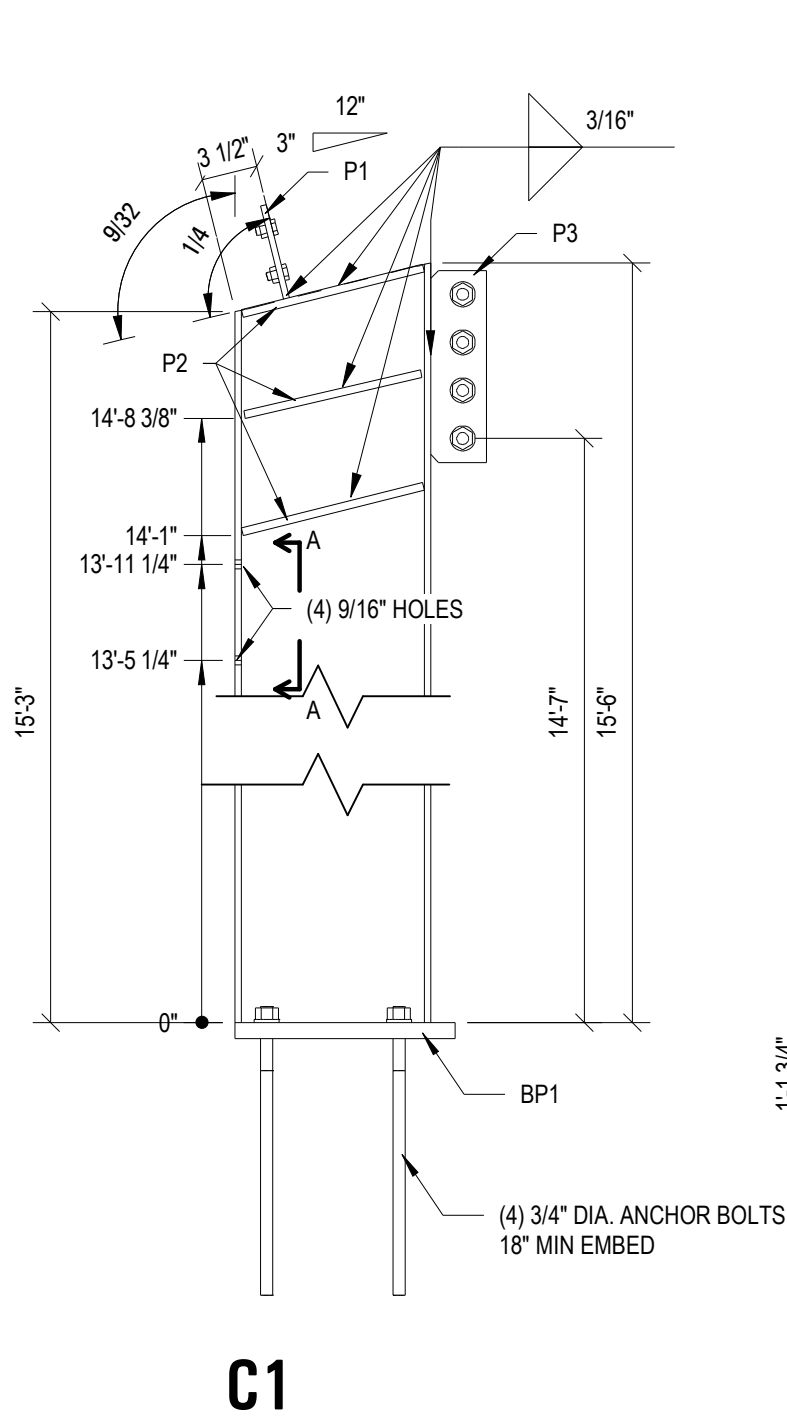
**FRAMING
SECTIONS**

ISSUE DATE: 12/5/2018

S.3



1 SECTION
1/4" = 1'-0"



BILL OF MATERIALS

FIELD MARK	SHOP MARK	NO. PCS	SECTION	LENGTH	NO. PCS
C1			W12x26	15'-6"	6
	P1	1	6"x3/8" PL	0'-6"	
	P2	6	3"x1/2" PL	0'-11 3/8"	
	P3	1	3 1/2"x1/2" PL	1'-0"	
	BP1	1	8"x1" PL	1'-1 3/4"	

FIELD BOLTS

4	3/4" A325 ANCHOR	2'-0"	
4	3/4" A325 BOLT	0'-3"	
2	1/2" A325 BOLT	0'-1"	
8	3/4" HVY HX NUT		
2	1/2" HVY HX NUT		
8	3/4" HRND WASHER		
2	1/2" HRND WASHER		

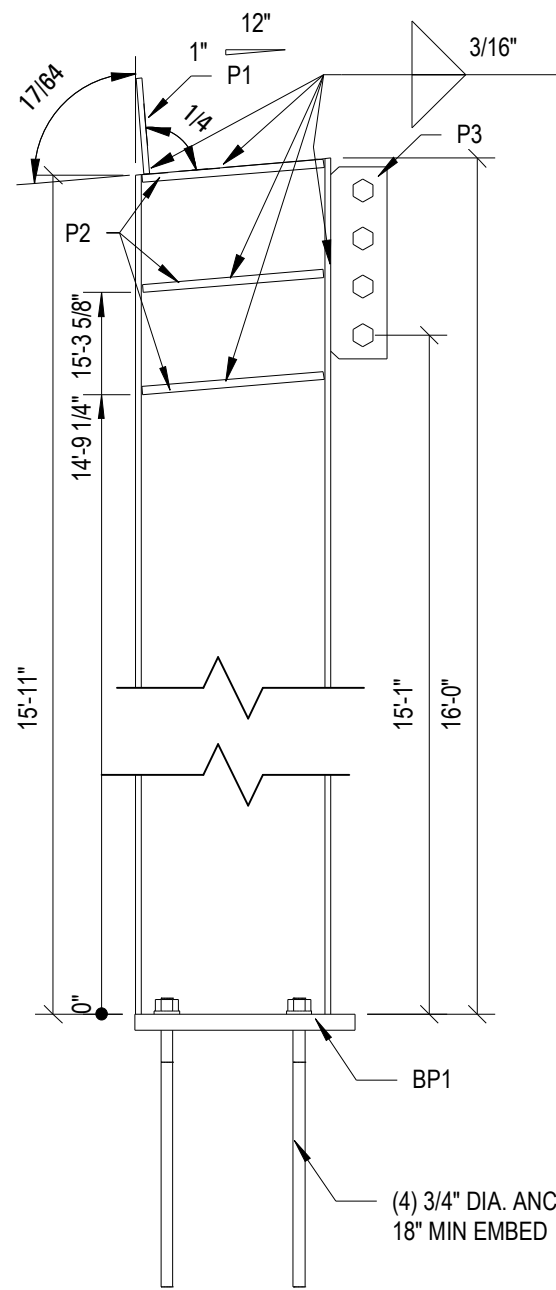
REVISIONS		
MARK	DATE	DESCRIPTION

FLYING FISH ACADEMY
 300 Sportsplex Dr
 Dripping Springs, TX
 78620

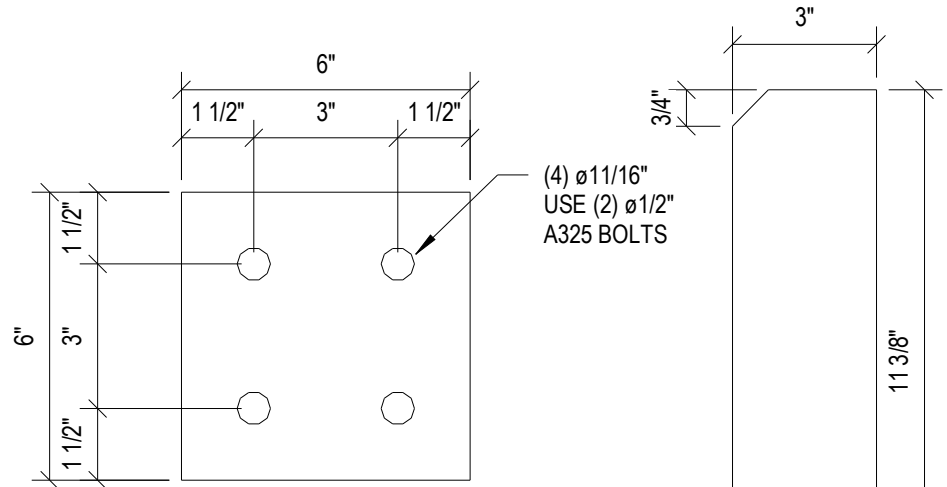
ISSUE DATE: 12/5/2018

DETAIL:
W12x26 (C1)

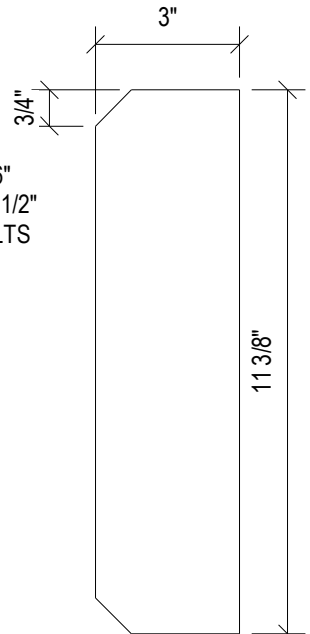
SD1



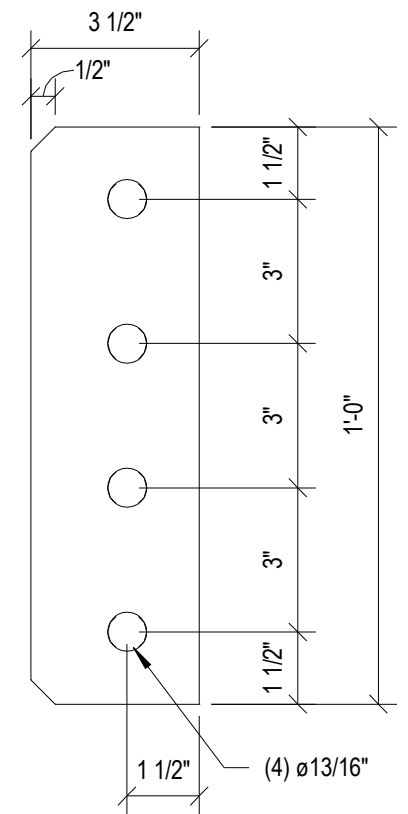
C2



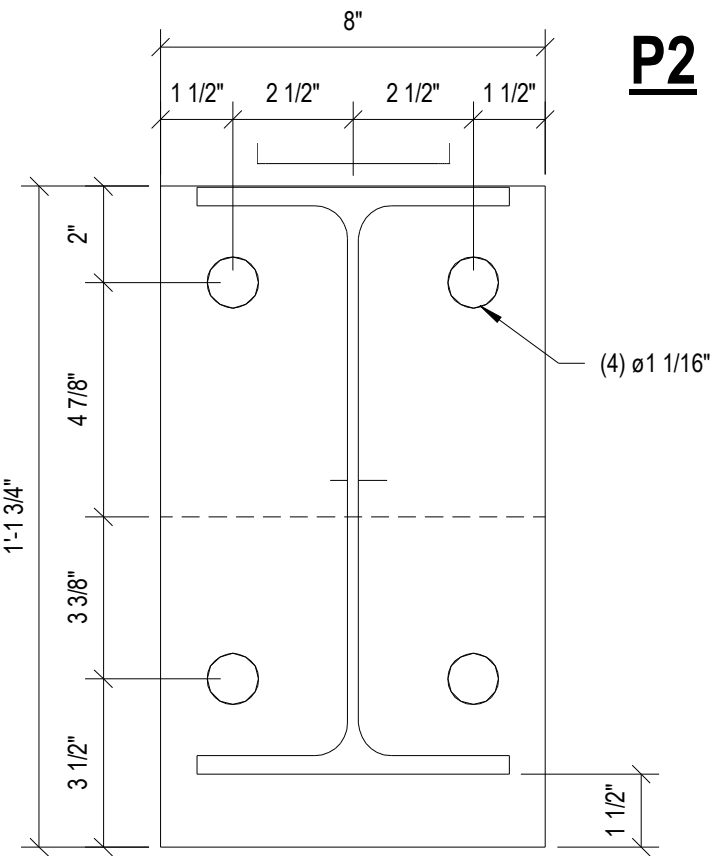
P1



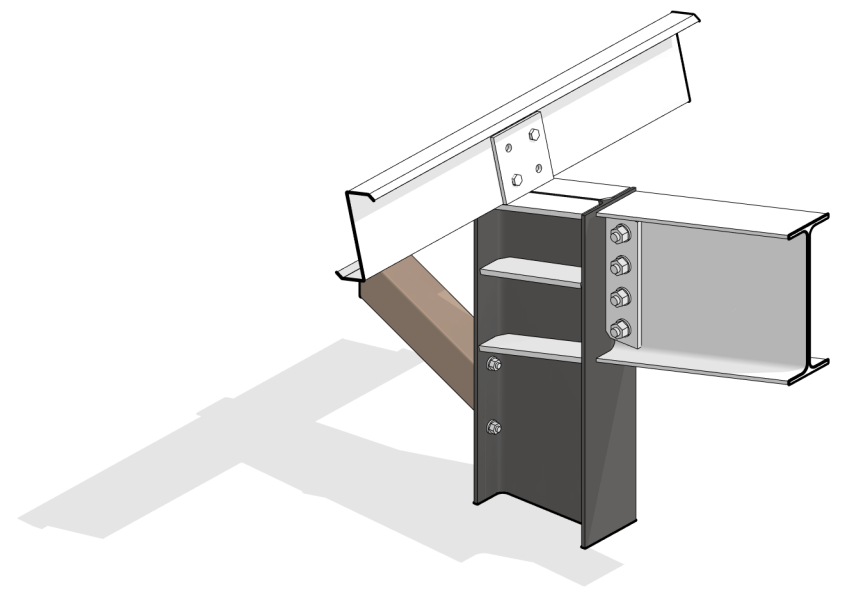
P2



P3



BP1



BILL OF MATERIALS

FIELD MARK	SHOP MARK	NO. PCS	SECTION	LENGTH	NO. PCS
C2			W12x26	16'-0"	2
	P1	1	6"x3/8" PL	0'-6"	
	P2	6	3"x1/2" PL	0'-11 3/8"	
	P3	1	3 1/2"x1/2" PL	1'-0"	
	BP1	1	8"x1" PL	1'-1 3/4"	

FIELD BOLTS

4	3/4" A325 ANCHOR	2'-0"	
4	3/4" A325 BOLT	0'-3"	
2	1/2" A325 BOLT	0'-1"	
8	3/4" HVY HX NUT		
2	1/2" HVY HX NUT		
8	3/4" HRND WASHER		
2	1/2" HRND WASHER		

REVISIONS		
MARK	DATE	DESCRIPTION

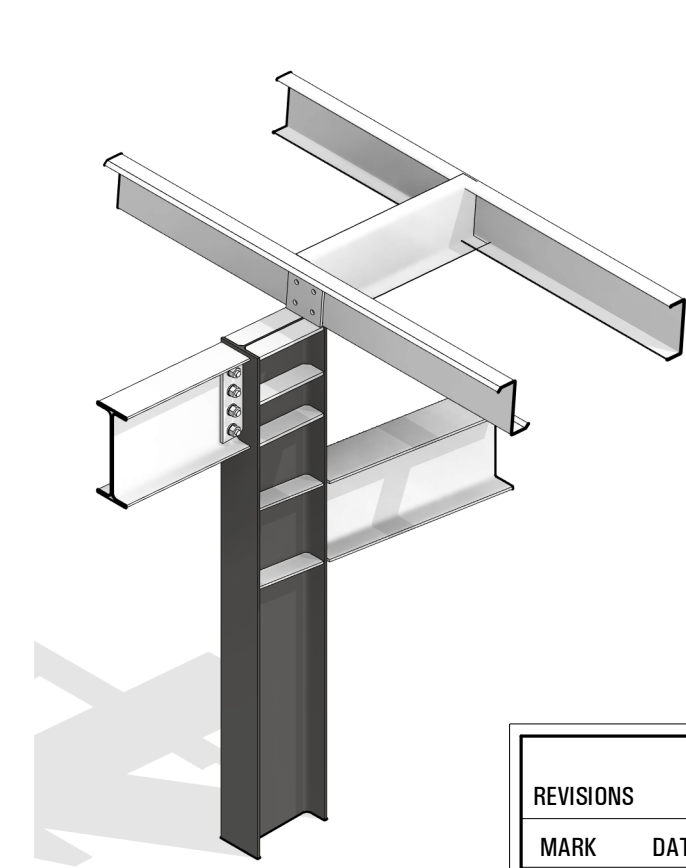
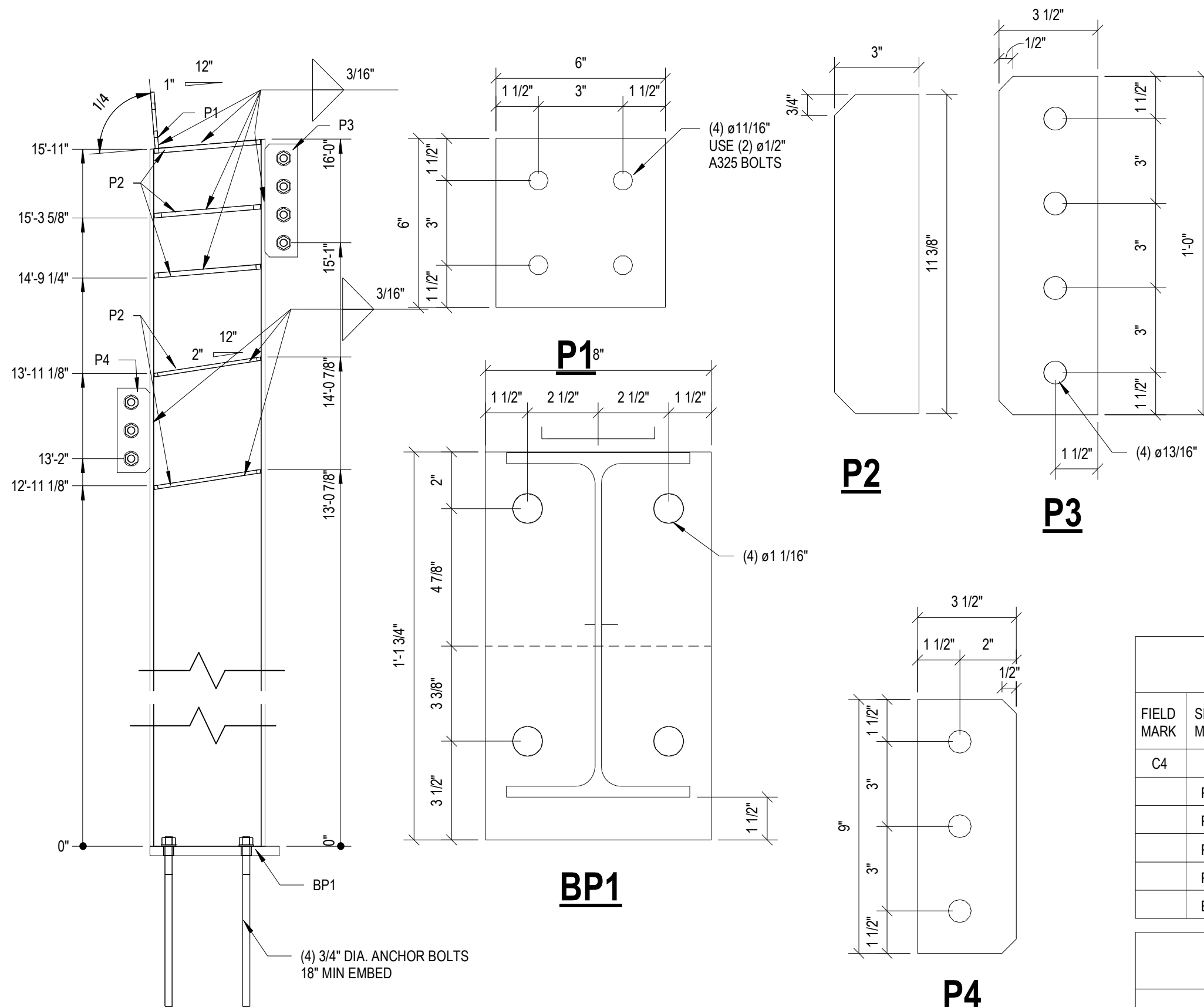
FLYING FISH ACADEMY
 300 Sportsplex Dr
 Dripping Springs, TX
 78620

ISSUE DATE: 12/5/2018

DETAIL:

W12x26 (C2)

SD2



BILL OF MATERIALS

FIELD MARK	SHOP MARK	NO. PCS	SECTION	LENGTH	NO. PCS
C4			W12x26	16'-0"	4
	P1	1	6"x3/8" PL	0'-6"	
	P2	10	3"x1/2" PL	0'-11 3/8"	
	P3	1	3 1/2"x1/2" PL	1'-0"	
	P4	1	3 1/2"x1/2" PL	0'-9"	
	BP1	1	8"x1" PL	1'-1 3/4"	

FIELD BOLTS

4	3/4" A325 ANCHOR	2'-0"	
7	3/4" A325 BOLT	0'-3"	
2	1/2" A325 BOLT	0'-1"	
11	3/4" HVY HX NUT		
2	1/2" HVY HX NUT		
11	3/4" HRND WASHER		
2	1/2" HRND WASHER		

REVISIONS		
MARK	DATE	DESCRIPTION

FLYING FISH ACADEMY
300 Sportsplex Dr
Dripping Springs, TX
78620

ISSUE DATE: 12/5/2018
 DETAIL:
W12x26 (C4)

SD4

C4

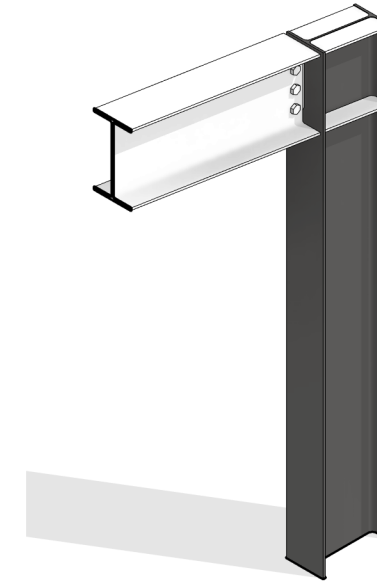
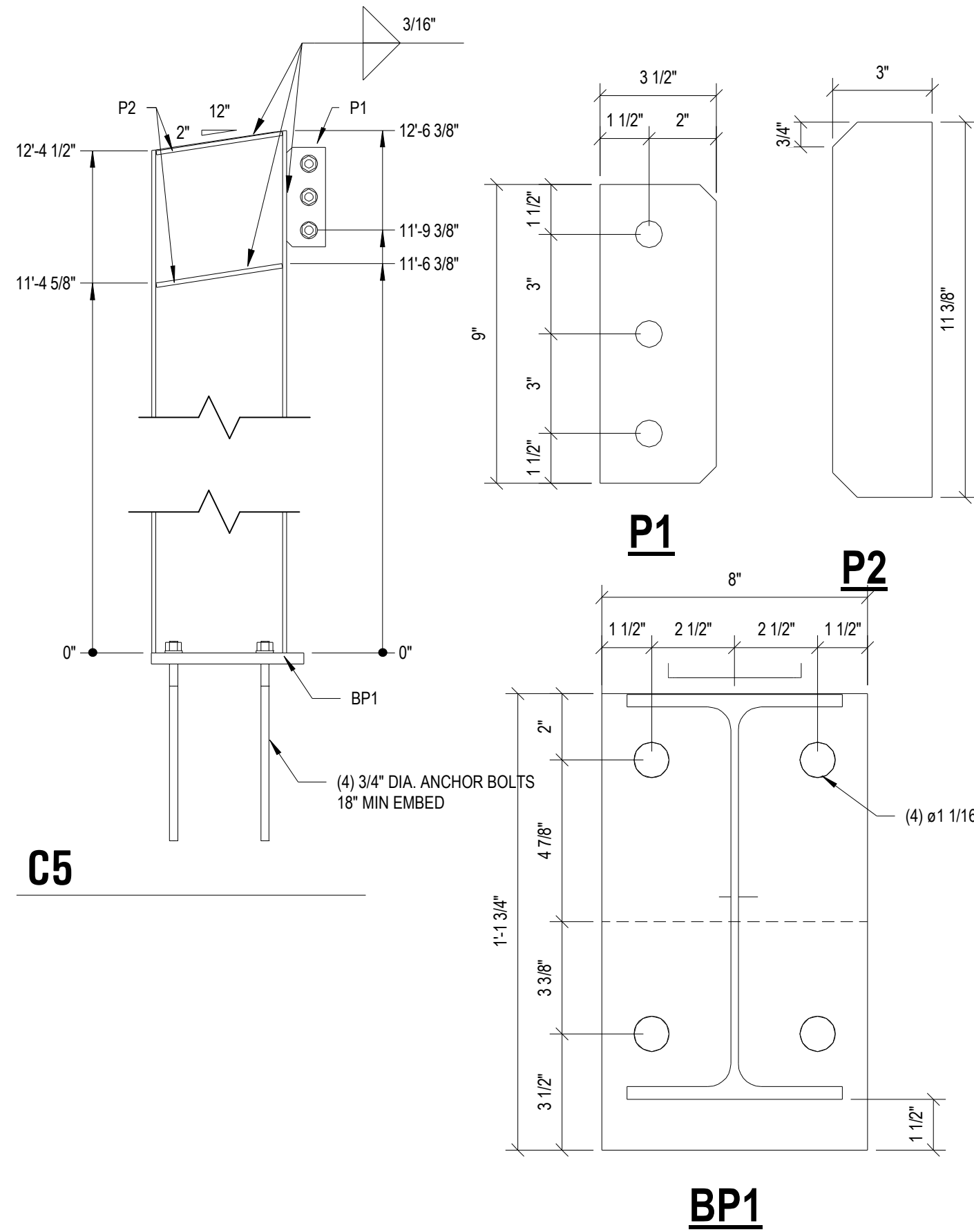
BP1

P2

P3

P4

P1



BILL OF MATERIALS					
FIELD MARK	SHOP MARK	NO. PCS	SECTION	LENGTH	NO. PCS
C5			W12x26	12'-6 3/8"	4
	P1	1	3 1/2"x1/2" PL	0'-9"	
	P2	4	3"x1/2" PL	0'-11 3/8"	
	BP1	1	8"x1" PL	1'-1 3/4"	

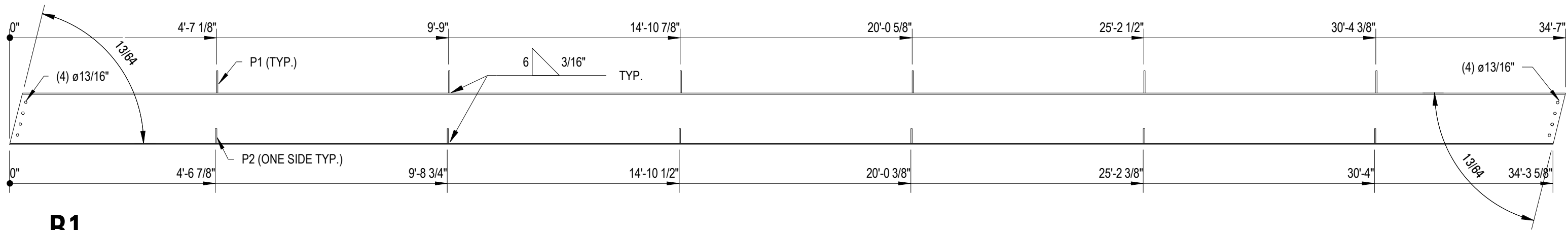
FIELD BOLTS				
	4	3/4" A325 ANCHOR	2'-0"	
	3	3/4" A325 BOLT	0'-3"	
	3	3/4" HVY HX NUT		
	3	3/4" HRND WASHER		

REVISIONS		
MARK	DATE	DESCRIPTION

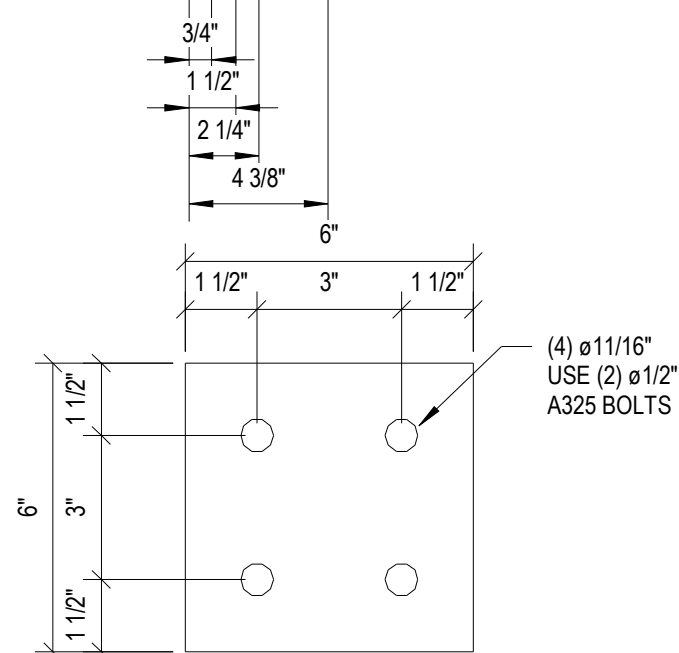
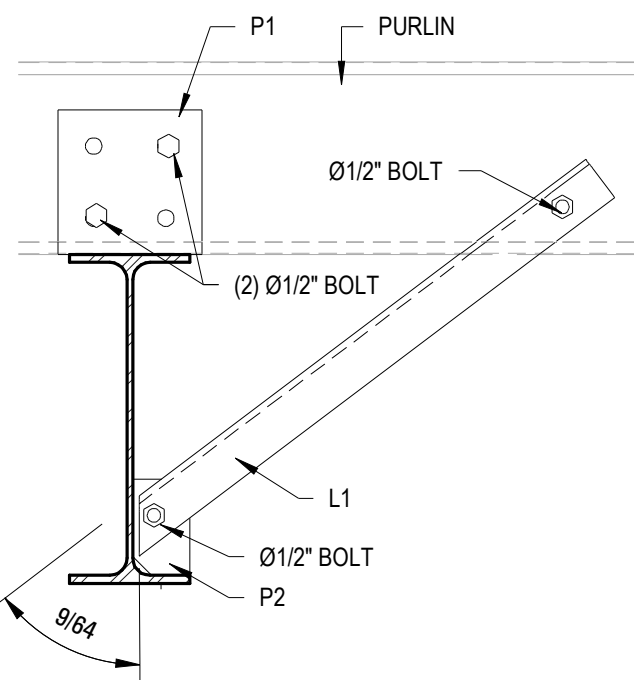
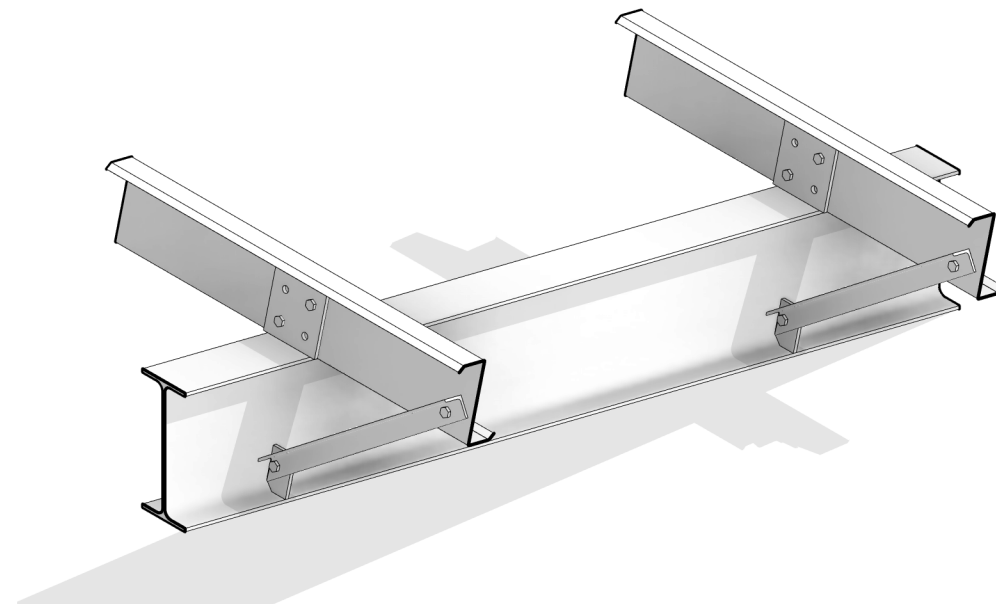
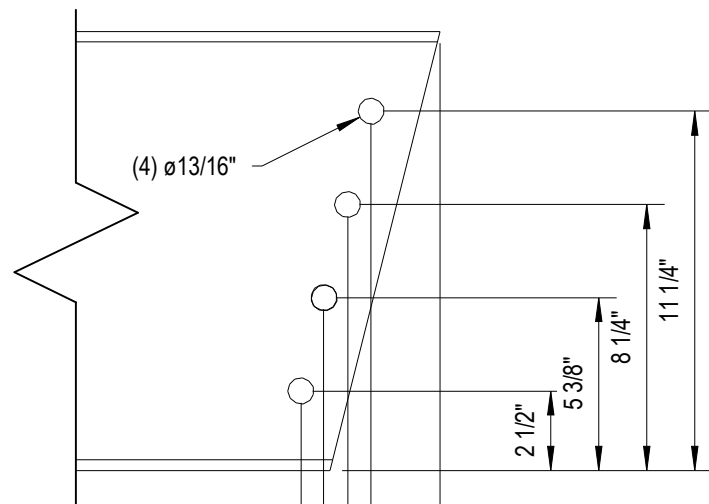
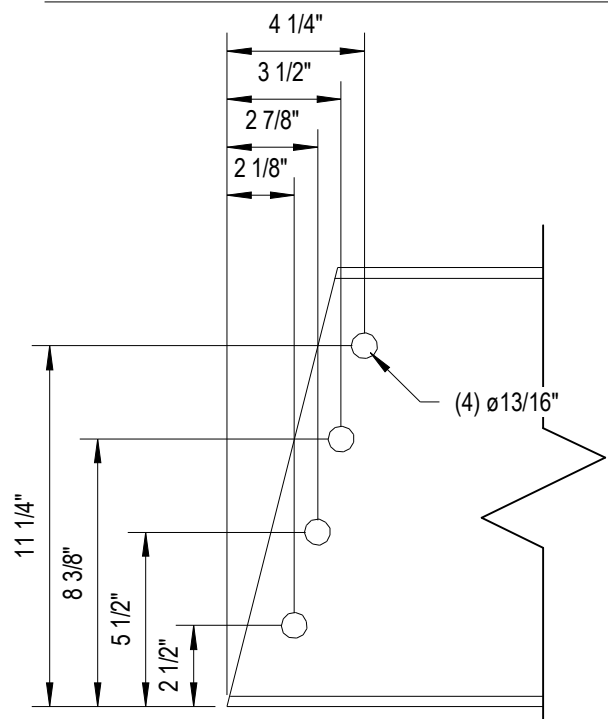
FLYING FISH ACADEMY
300 Sportsplex Dr
Dripping Springs, TX
78620

ISSUE DATE: 12/5/2018
 DETAIL:
W12x26 (C5)

SD5



B1



P1

BILL OF MATERIALS

FIELD MARK	SHOP MARK	NO. PCS	SECTION	LENGTH	NO. PCS
B1			W14x22	34'-7"	6
	P1	6	6"x3/8" PL	0'-6"	
	P2	6	4"x3/8" PL	0'-2 3/8"	
	L1	6	L2x2x1/4	2'-0 3/4"	

FIELD BOLTS

	24	1/2" A325 BOLT	0'-1"	
	24	1/2" HVY HX NUT		
	24	1/2" HRND WASHER		

REVISIONS

MARK	DATE	DESCRIPTION

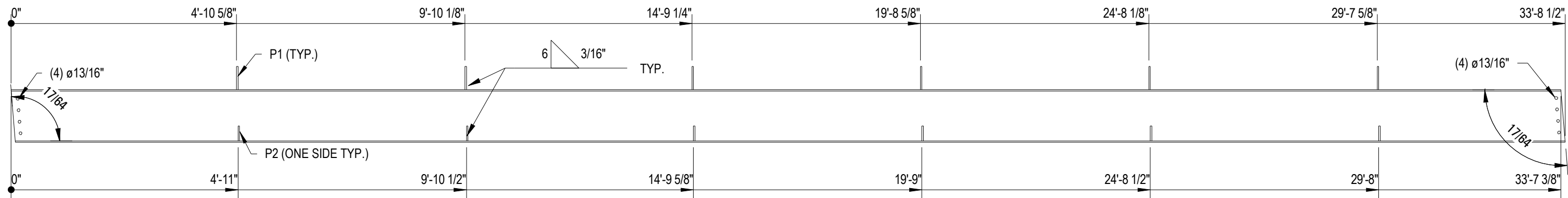
FLYING FISH ACADEMY
 300 Sportsplex Dr
 Dripping Springs, TX
 78620

ISSUE DATE: 12/5/2018

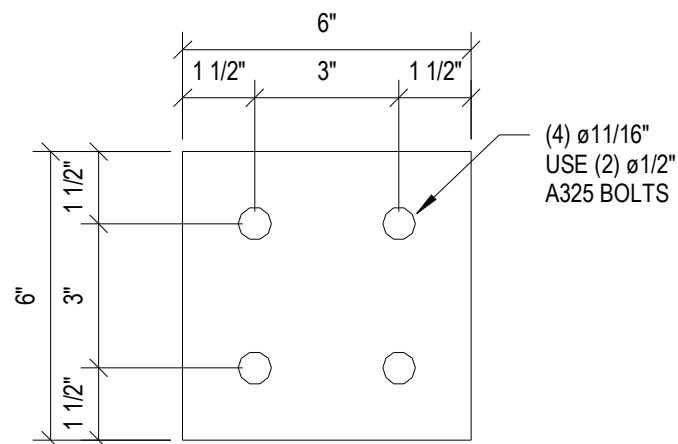
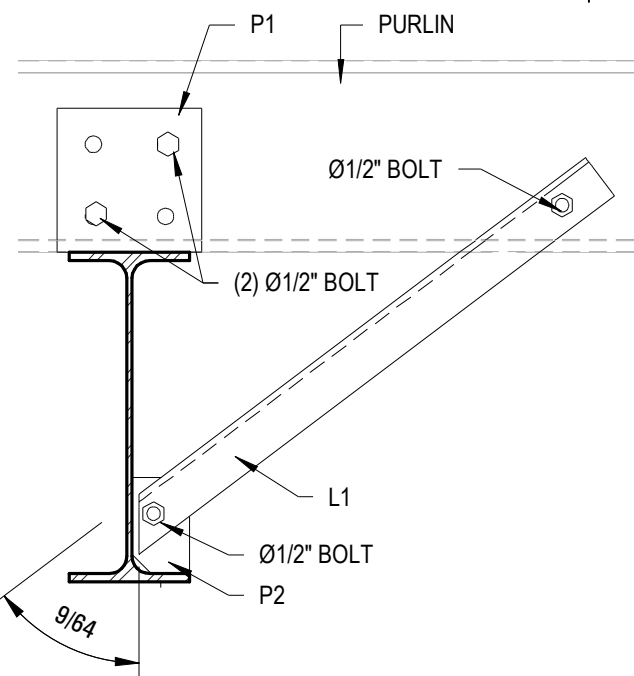
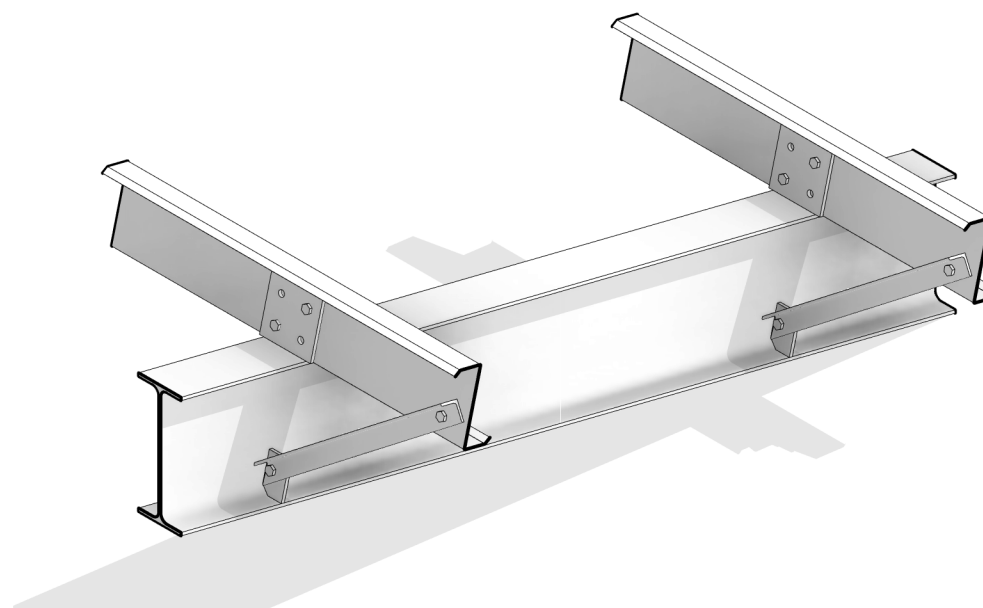
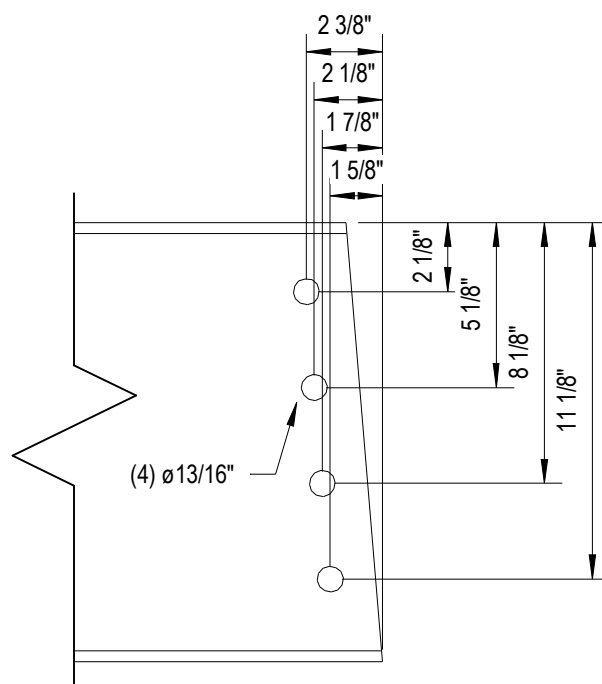
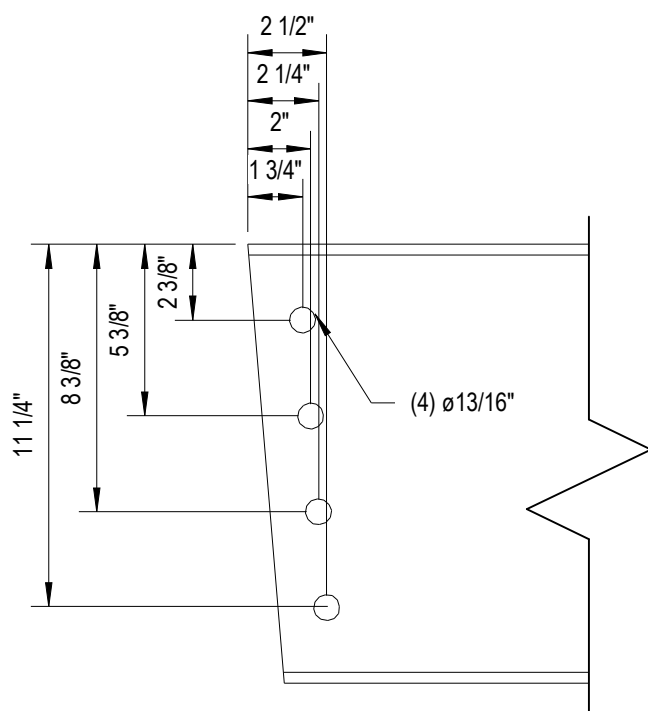
DETAIL:

W14x22 (B1)

SD6



B2



P1

BILL OF MATERIALS

FIELD MARK	SHOP MARK	NO. PCS	SECTION	LENGTH	NO. PCS
B2			W14x22	33'-8 1/2"	6
	P1	6	6"x3/8" PL	0'-6"	
	P2	6	4"x3/8" PL	0'-2 3/8"	
	L1	6	L2x2x1/4	2'-0 3/4"	

FIELD BOLTS

	24	1/2" A325 BOLT	0'-1"	
	24	1/2" HVY HX NUT		
	24	1/2" HRND WASHER		

REVISIONS

MARK	DATE	DESCRIPTION

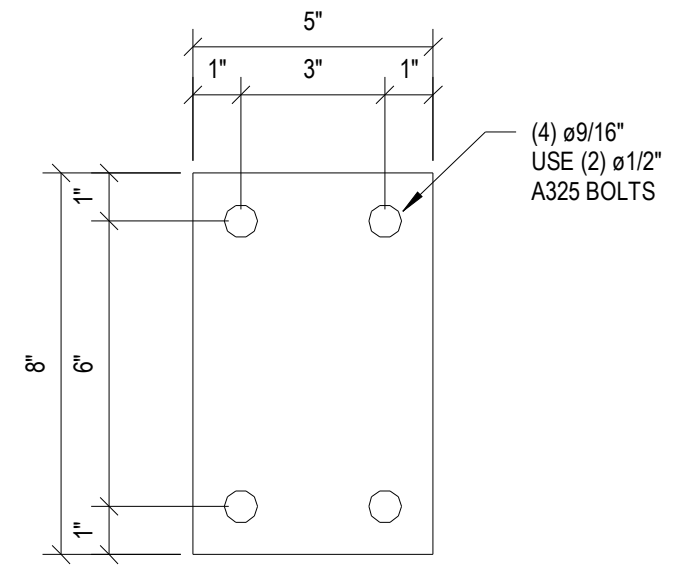
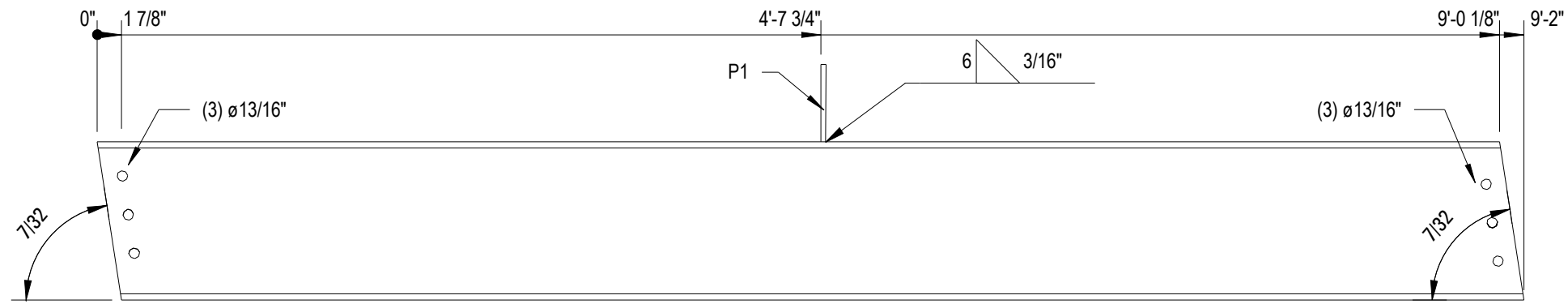
FLYING FISH ACADEMY
 300 Sportsplex Dr
 Dripping Springs, TX
 78620

ISSUE DATE: 12/5/2018

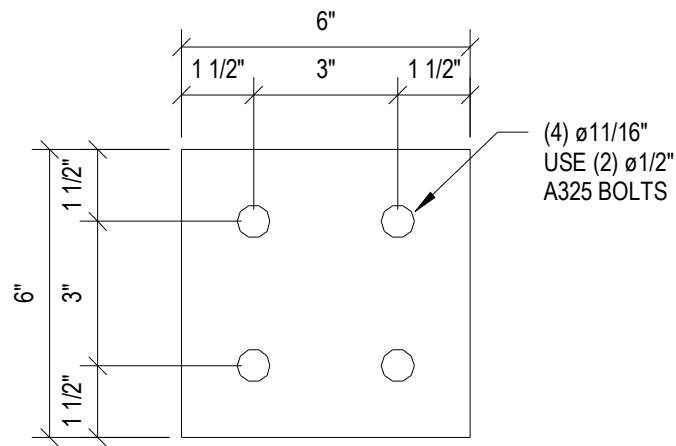
DETAIL:

W14x22 (B2)

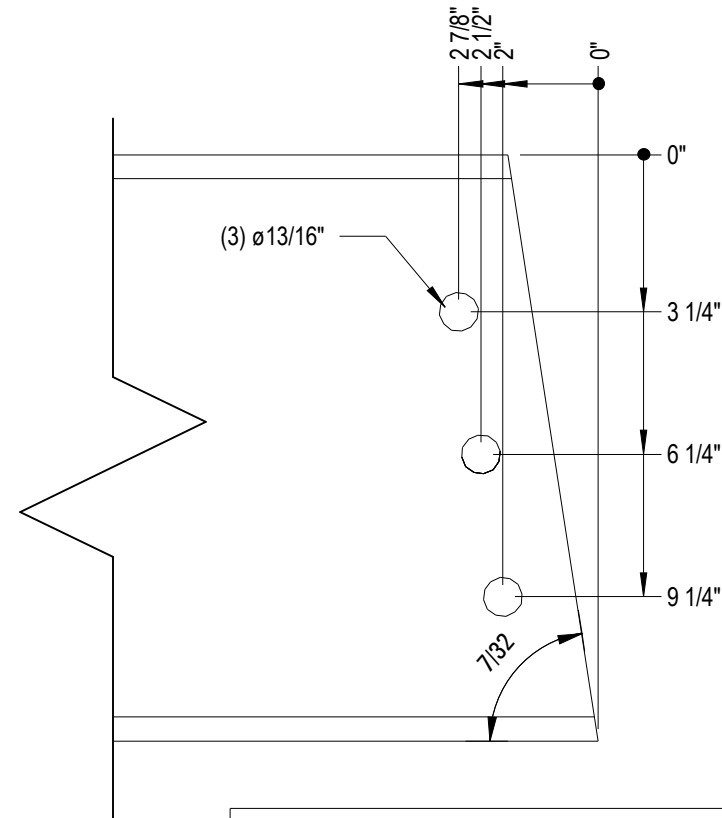
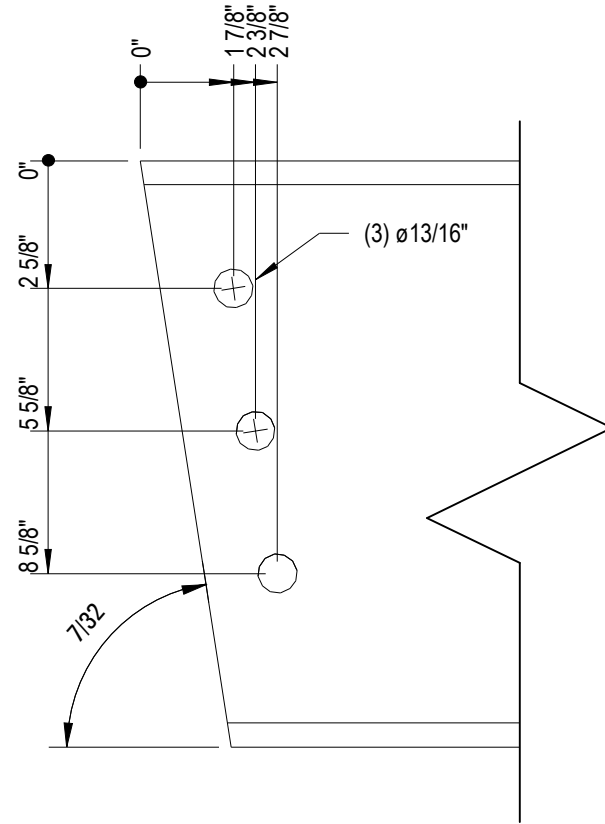
SD7



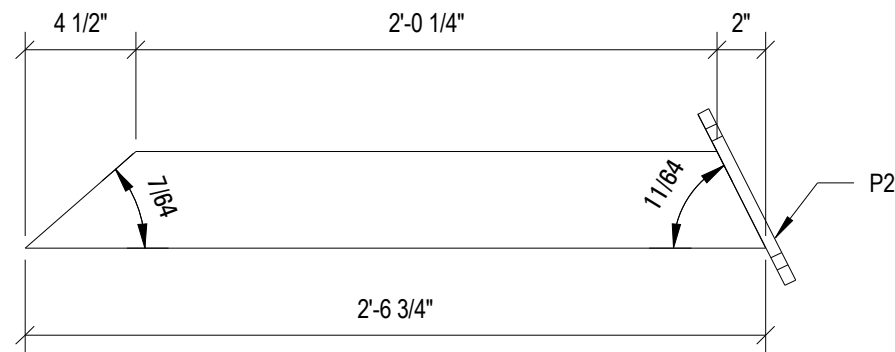
B3



P1



P2



B4

BILL OF MATERIALS

FIELD MARK	SHOP MARK	NO. PCS	SECTION	LENGTH	NO. PCS
B3			W12x26	9'-2"	4
	P1	1	6"x3/8" PL	0'-6"	
B4			HSS 4x4x1/8	2'-6 3/4"	6
	P2	1	5"x1/2" PL	0'-8"	

FIELD BOLTS

	26	1/2" A325 BOLT	0'-1"	
	26	1/2" HVY HX NUT		
	26	1/2" HRND WASHER		

REVISIONS

MARK	DATE	DESCRIPTION

FLYING FISH ACADEMY
 300 Sportsplex Dr
 Dripping Springs, TX
 78620

ISSUE DATE: 12/5/2018

DETAIL:

**W12x26 (B3),
 HSS4x4x1/8(B4)**

SD8